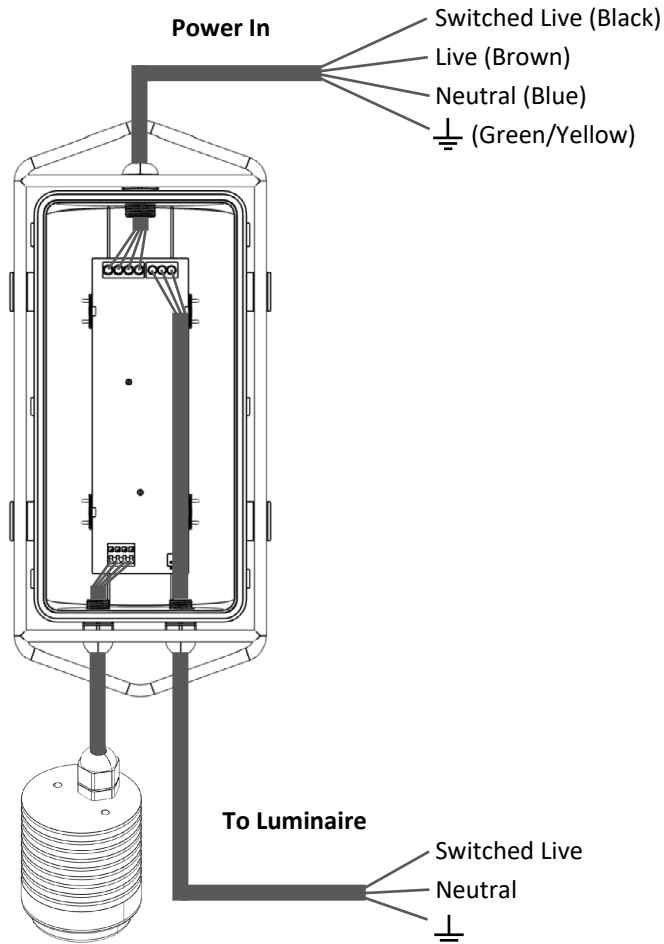
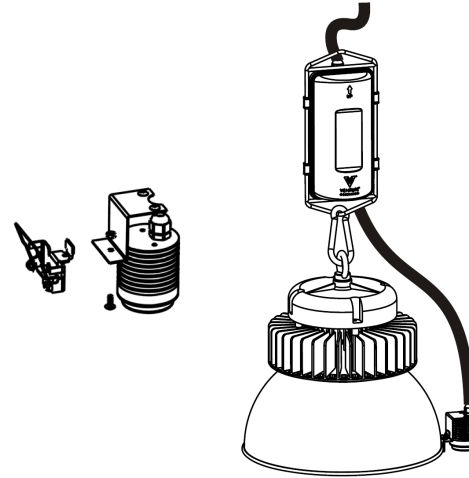


Luminaire Installation

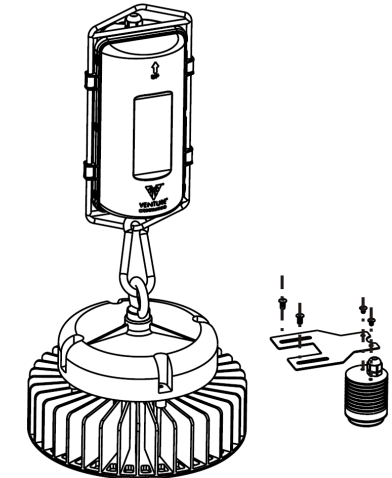
1. Open shell referring to diagram overleaf.
2. Pass luminaire power cable through strain relief gland and connect to top power terminal.
3. Connect battery to PCB header.
4. Snap pod casing onto hanger.
5. Light source can be mounted on compatible Venture luminaire or reflector with supplied brackets.



Reflector Mounting



Luminaire Mounting



Self-Test

During self-test the light source will illuminate and the red indicator LED will flash continuously. On completion the pod returns to normal operation.

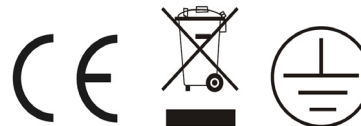
Schedule

Every month - 10 minute self-test.

Annually - 3 hours self-test.

LED Status Indicator

Green	Normal operation
Single red flash	Battery failure or not connected
Double red flash	Light source failure
Triple red flash	3Hr self test failed. Battery at end of life



Manual Test

After installation emergency function can be checked by pressing the test button for 3 seconds. The light will illuminate for 5 minutes before resuming normal operation.

Timer Reset

Monthly and annual timers can be reset by pressing the test button for 1s.