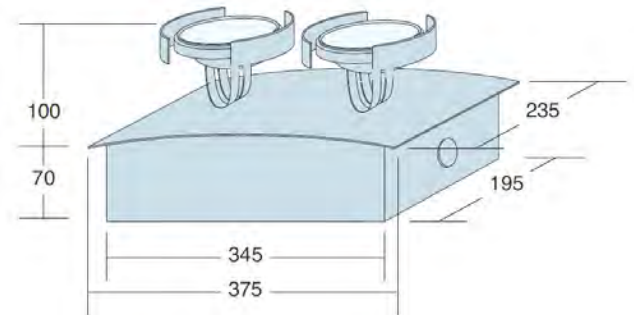


## SMART SEARCH



### Dimensions

Smart Search

375mm x 235mm x 170mm (overall height inc lamps)

The Smart Search range offers simple and effective emergency lighting from attractive high intensity LED projectors. More suitable for areas with aesthetic concerns than conventional Twin Projector floodlights the Smart Search units are ideal for a wide range of applications requiring open area illumination. The 12W LED projector heads provide excellent performance and full photometry is available upon request.

These units are supplied with high quality 5year life (VRLA) Valve Regulated Lead Acid batteries. The Smart Search units are supplied as standard with Non-maintained operation with anodised aluminium heads and a metallic grey powder coat finish to the main enclosure.

The self-contained circuit provides charge healthy monitoring. The twin 12Watt LED provides 3 hour duration from the integral VRLA batteries and fully complies with the requirements of EN60598.2.22

<b>Light Source</b>	Two 12W LED Heads with integral AR111 reflectors
<b>Colour Temperature</b>	5000K
<b>Light Output</b>	2 x 980lm
<b>IP Rating</b>	IP20
<b>Ambient temperature (Ta)</b>	25°C
<b>Insulation class</b>	Class I
<b>Supply</b>	230V ~ 50Hz
<b>Supply power</b>	5W
<b>Charge power (typical)</b>	5W
<b>Battery</b>	Integral VLRA
<b>Weight</b>	6kg
<b>Construction</b>	Metallic grey epoxy coated steel enclosure
<b>Cable Entry</b>	20mm hole in ends and back

### Order Code

SS/LED/NM3/SS

Led 3 hour non-maintained

*\*Please contact our sales office for Dimming & other options*