

Walkway High Output LED



Supplied with an IP65 rated polycarbonate base and attractive polycarbonate fresnel lens, **Walkway-HO** luminaires provide **800 lumen** output as standard, with the fresnel lens creating cost effective opportunities to minimise the number of luminaires required within an installation. **Walkway-HO** luminaires can be surface mounted or semi-recessed and have the option to be easily fitted with painted steel framed acrylic legend blades or with self-adhesive EC or ISO Exit Sign Kits.

OPERATION

The **Walkway-HO** luminaires are available with mains only or Non-Maintained emergency operation. All emergency versions provide 3 hour duration from integral high temperature Nickel Cadmium (NiCd) batteries.

Accessories such as self-adhesive pictogram legend panels, semi-recessing bezels and tamper-proof screws are available to complete the range.

The luminaires fully comply to the requirements of EN60598.2.22

DALI/Self-Test Options:

The **Walkway-HO** luminaires can be specified with integral DALI/Self-Test gear providing automatic Self-Test in accordance with BSEN62034 or fully interoperable DALI operation when connected to a DALI control system.



WK/LED/HO/NM3

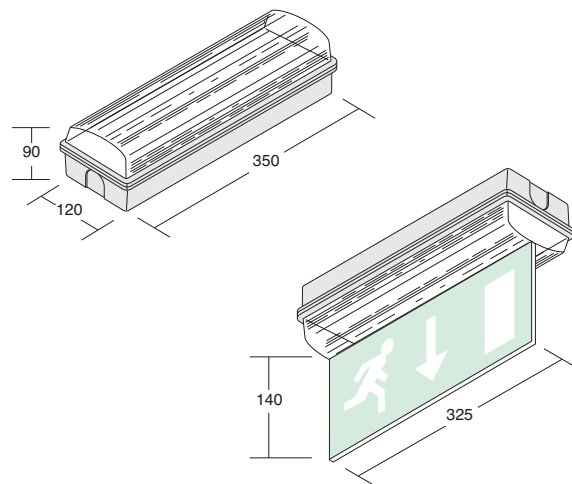


WK/LED/HO/NM3 + BLD/ECAR



GENERAL DETAILS

Product	Bulkhead and Exit Sign
Light source	2 x LED strip PCBs
Luminaire Lumens	800lm (emergency)
Sign viewing distance	28m (/BLD)
Construction	Polycarbonate base and clear fresnel lens
Geartray	Hinged white painted steel
Dimensions	350mm (L) x 120mm (W) x 90mm (H)
Cable entry	20mm holes in back





SPECIFICATION

	Non-Maintained	Mains only
Light source	2 x LED strip PCBs	
Colour temperature	4000K	
Luminaire lumens (mains)	-	800lm
Luminaire lumens (emergency)	800lm	—
IP rating	IP65	
Ambient temperature (Ta)	25°C	
Insulation class	Class I	
Supply voltage	230V +/- 10% ~ 50Hz	
Supply current	25mA	40mA
Supply power (mains)	5W	8W
Charge power (typical)	4W	—
Battery	7.2V 1.8Ah NiCd	—
Weight	1.4kg	1.0kg

ORDER CODES

WK/LED/HO/NM3

WK/LED/HO/240V

Description

Non-Maintained emergency

Mains only

LED polycarbonate bulkhead with fresnel lens

LED polycarbonate bulkhead with fresnel lens

OPTIONS:

/DALI DALI or Self-Test emergency operation

/OP Opal Diffuser; **/RB** Semi-Recessing Bezel; **/WG** Wire Guard;

BLADE EXIT OPTIONS:

WK/BLD/ECAR EC format — Arrow Right/Left

WK/BLD/ECAD EC format — Arrow Down

WK/BLD/ISOAR ISO format — Arrow Right/Left

WK/BLD/ISOAU ISO format — Arrow Up

SELF-ADHESIVE SIGN KITS:

WK/LEG/KIT/EC EC format Self-adhesive kit

WK/LEG/ISOAR ISO format Self-adhesive — Arrow Right

WK/LEG/ISOAL ISO format Self-adhesive — Arrow Left

WK/LEG/ISOAU ISO format Self-adhesive — Arrow Up